

# SETUP SHEET

DATE: 2-2-02

TRACK: Stockton Carpet

NAME - MO

## FRONT

LENGTH  
62mm

OUTER SPACER

PISTON  
#3

INNER SPACER

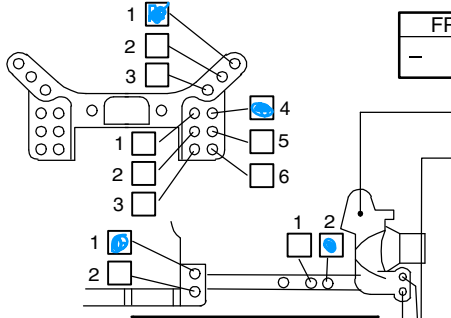
SPRING  
Blue

OIL  
35

SHOCK END  
LONG SHORT

SHOCK  
PLASTIC ALUM

FRONT ROLL BAR  
ZS-412F  
ZS-412FW  
ZS-412FSP  
Silver



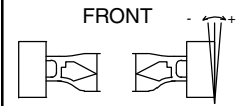
FRONT CAMBER  
- 1 +

CASTER BLOCK  
STANDARD 5 DEG   
TEAM SUZUKI 3 DEG  
TEAM SUZUKI 5 DEG  
TEAM SUZUKI 7 DEG

TIRE

INNER FOAM

TOE  
- 0 +



RIDE HEIGHT  
5mm mm

PART DESCRIPTION	STANDARD	GRAPHITE
BULKHEAD		<input checked="" type="radio"/>
SHOCK TOWER		<input checked="" type="radio"/>
LOWER ARMS		<input checked="" type="radio"/>
CASTER BLOCKS		<input checked="" type="radio"/>
STEERING BLOCKS		<input checked="" type="radio"/>

## REAR

LENGTH  
60.5mm

OUTER SPACER

PISTON  
#3

INNER SPACER

SPRING  
Yellow

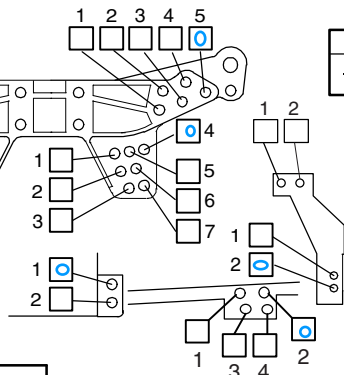
OIL  
25

SHOCK END  
LONG SHORT

SHOCK  
PLASTIC ALUM

REAR ROLL BAR  
YES

TOE-IN BLOCKS  
0  1 2



REAR CAMBER  
- 1 +

PART DESCRIPTION	STANDARD	GRAPHITE
BULKHEAD		<input checked="" type="radio"/>
SHOCK TOWER		<input checked="" type="radio"/>
LOWER ARMS	ZS-008	<input checked="" type="radio"/>
	ZS-008RW	

TIRE

INNER FOAM

WHEELBASE  
front mm  
rear mm

RIDE HEIGHT  
5 mm

CHASSIS  
 GRAPHITE SLOTTED CHASSIS (TC SPECIAL)  
 GRAPHITE SLOTTED CHASSIS (TC PRO)  
 STANDARD SLOTTED CHASSIS

BODY

WING

FRONT DRIVE  
DIFF  ONE-WAY

CENTER DRIVE  
DIRECT  ONE-WAY

SPEED CONTROL

SINGLE PIECE UPPER DECK  
 STANDARD  GRAPHITE  
**MILLED FOR FLEX**

MOTOR  
TURN WIND

GEAR RATIO  
PINION SPUR  
T T

BATTERIES

TRACTION ADDITIVE

COMMENTS:  
Rear hub carriers cut down and ball stud mounted vertically.