

SETUP SHEET

DATE 25.3.2001

TRACK Riihimäki (carpet)

NAME kentech

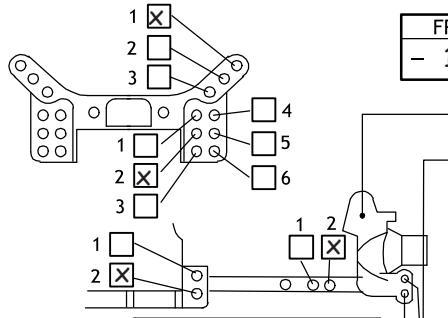
FRONT

LENGTH	60.25mm
OUTER SPACER	
PISTON	#3
INNER SPACER	
SPRING	Red (GT4)
OIL	450

SHOCK END		
LONG	<input checked="" type="checkbox"/>	SHORT

SHOCK		
PLASTIC	<input checked="" type="checkbox"/>	ALUM

FRONT ROLL BAR		
<input checked="" type="checkbox"/>	YES	1.6mm



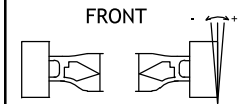
FRONT CAMBER	
- 1	+

CASTER BLOCK		
STANDARD 5 DEG	<input checked="" type="checkbox"/>	
TEAM SUZUKI 3 DEG		
TEAM SUZUKI 5 DEG		
TEAM SUZUKI 7 DEG		

TIRE	138G
------	------

INNER FOAM	037M
------------	------

TOE	
- 0	+



RIDE HEIGHT	
4.5	mm

PART DESCRIPTION	STANDARD	GRAPHITE
BULKHEAD	<input checked="" type="checkbox"/>	
SHOCK TOWER		<input checked="" type="checkbox"/>
LOWER ARMS	<input checked="" type="checkbox"/>	
CASTER BLOCKS	<input checked="" type="checkbox"/>	
STEERING BLOCKS	<input checked="" type="checkbox"/>	

REAR

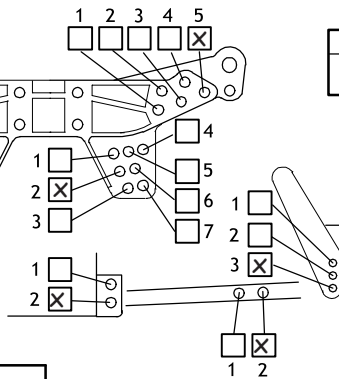
LENGTH	60.0mm
OUTER SPACER	
PISTON	#3
INNER SPACER	
SPRING	Orange
OIL	450

SHOCK END		
LONG	<input checked="" type="checkbox"/>	SHORT

SHOCK		
PLASTIC	<input checked="" type="checkbox"/>	ALUM

REAR ROLL BAR		
<input checked="" type="checkbox"/>	YES	black 1mm

TOE-IN BLOCKS		
0	<input checked="" type="checkbox"/>	2



REAR CAMBER	
- 1	+

PART DESCRIPTION	STANDARD	GRAPHITE
BULKHEAD	<input checked="" type="checkbox"/>	
SHOCK TOWER		<input checked="" type="checkbox"/>
LOWER ARMS	<input checked="" type="checkbox"/>	

TIRE	138G
------	------

INNER FOAM	037M
------------	------

RIDE HEIGHT	
4.8	mm

CHASSIS		
	STANDARD CHASSIS (TC)	
<input checked="" type="checkbox"/>	GRAPHITE SLOTTED CHASSIS (TC PRO)	
	STANDARD SLOTTED CHASSIS (TC R)	

BODY	
Protoform Stratus	

CENTER BRACE	
STANDARD	<input checked="" type="checkbox"/>
GRAPHITE	
<input checked="" type="checkbox"/> SINGLE PIECE UPPER DECK	

WING	
standard cut down	

MOTOR	
TURN	WIND
12	2

FRONT DRIVE	
DIFF	<input checked="" type="checkbox"/>
ONE-WAY	

GEAR RATIO			
PINION	T	SPUR	T
23		78	

CENTER DRIVE	
DIRECT	<input checked="" type="checkbox"/>
ONE-WAY	

BATTERIES	
LRP Sanyo3000	

SPEED CONTROL	
LRP IPC V7.1	

TRACTION ADDITIVE	
LRP TopTraction	

COMMENTS:

- milled upper deck and lower chassis
- lowered servo
- ZS-412F front roll bar
- ZS-008RW rear arms, short wheelbase
- medium grip carpet track, open layout